

SCREW CENTRIFUGAL PUMPS

PORTABLE COMPACT PUMP A2Q FEATURES

- Simple and effective design
- Solids handling up to 2" in diameter
- Robust unit capable of handling liquids containing fibrous matter
- Steep curve – giving pressure reserve when pump thick materials
- Mobile with a weight of 70 lbs. including 32 ft. cable
- High efficiency and compact construction
- Non-overloading power curve
- Tandem mechanical seals running in oil bath
- Dry or wet installation
- Horizontal or vertical with piped connections on suction and discharge
- Proven reliability
- Easy to install and maintain
- Higher head pumping can be obtained by connecting these units in series



The pump can be used for a wide range of dewatering and sump pumping applications, including:

- | | |
|-------------------------------|--------------------------------|
| • Process Wastes | • Viscous Sludges |
| • Domestic Sewage | • Farm Effluents |
| • Chemical Sludges | • Sewage Sludge |
| • Paper Mills | • Desludging |
| • Pig Slurry | • Slaughterhouses |
| • Industrial Effluents | • Food Processing Waste |

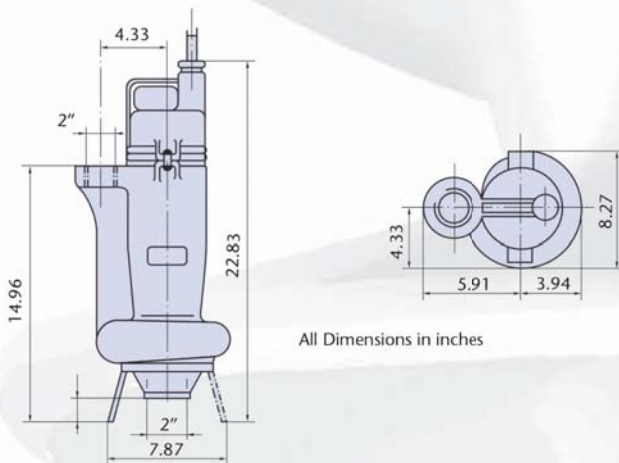


Constructional Characteristics of the HIDROSTAL® Screw Centrifugal Pump

- 1** Screw Centrifugal Impeller
- 2** Suction port
- 3** Delivery port
- 4** Spiral casing
- 5** Suction cone
- 6** Pump shaft
- 7** Screw impeller section
- 8** Centrifugal impeller section



Dimensions

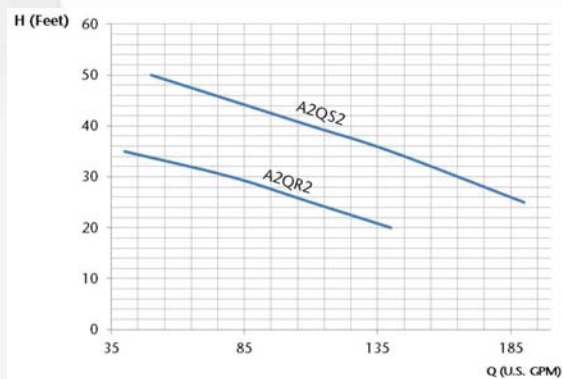


Technical Data

Discharge Port	2"
Free Passage	2"
Total Weight Incl. Cable	70 lb.
Cable	7 x 1.5mm ²
Material: Cast iron (Impeller: Ductile Iron)	

		460 V 60 Hz		230 V 60 Hz	
		A2QR2	A2QS2	A2QR2	A2QS2
	Ph	3~	3~	3~	3~
Nominal Power	HP	2.4	2.9	2.4	2.9
Speed	rpm	3312	3280	3312	3280
Nominal Current	A	3.6	4.4	7.2	8.8
Starting Current	Factor	6.39	5.23	6.39	5.23

Curves



HIDROSTAL PUMPS
 2225 White Oak Cir, Suite 101
 Aurora, IL 60502

info@hidrostalpumps.com
 Phone: 630-948-3355
 Fax: 630-948-3353
www.HidrostalPumps.com



Due to continuous improvements to our products Hidrostal LLC Reserves the right to change features and specifications without prior notice. Copyright © 2015 HIDROSTAL LLC. All Rights Reserved
 Horizontal/Vertical End Suction Pumps BRO-A2Q